

Installation instructions for PZ4AL-02406-00
Under Run Protective Shield Engine Bay and Transmission Case

TOYOTA Hiace



Model Year:	2005-2009	06.2012 -
Vehicle Code:	TRH223L-LEMNKX	KDH223L-LEMNYX
Part Number:		PZ4AL-02406-00



Weight: 15,91 kg

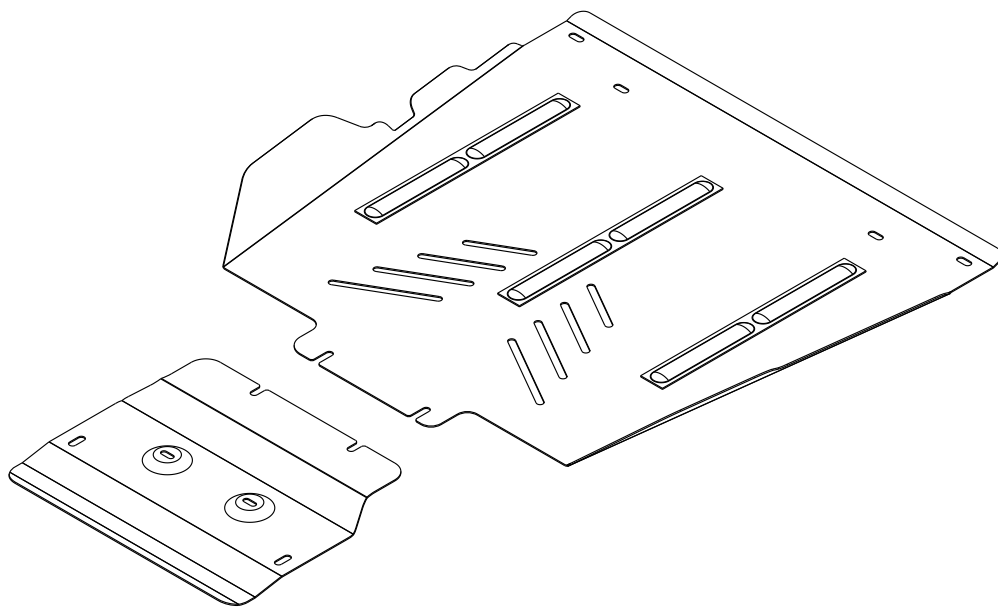


Installation Time: 40 min

PZ4AL-02406-00

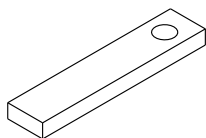
A1

A2



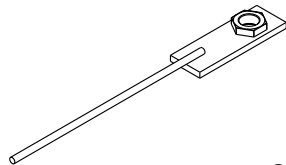
PZ4AL-02406-60

B



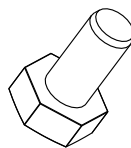
4x

C



2x

D1



M8x20

8x

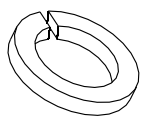
D2



M8x30

2x

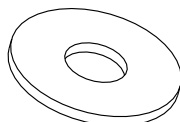
E1



Ø8G

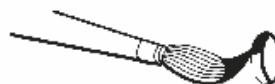
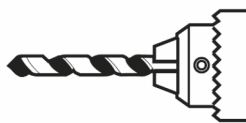
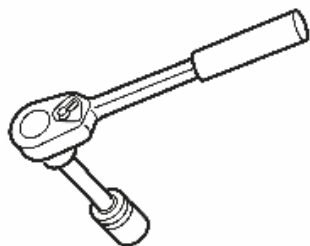
10x

E2

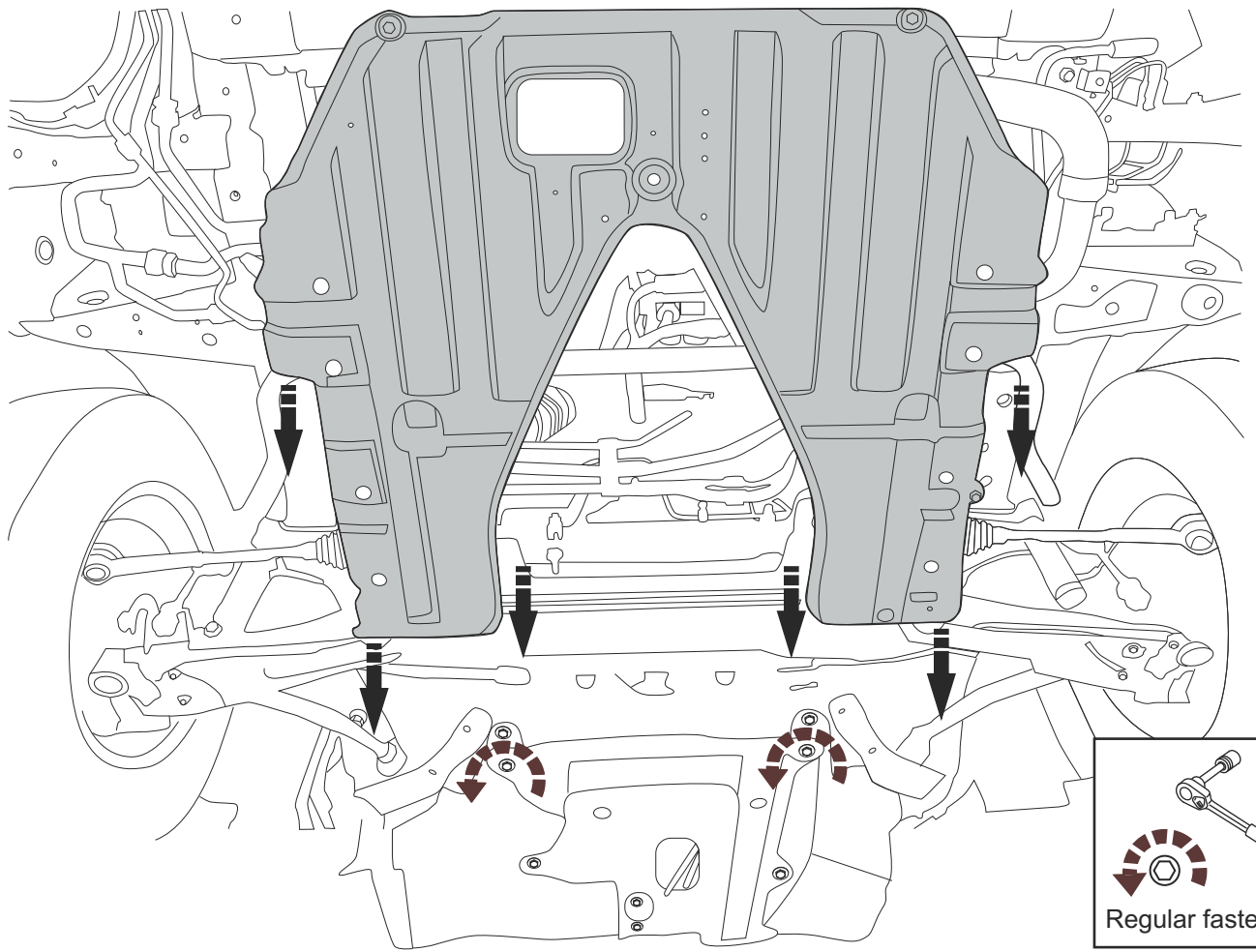


Ø8

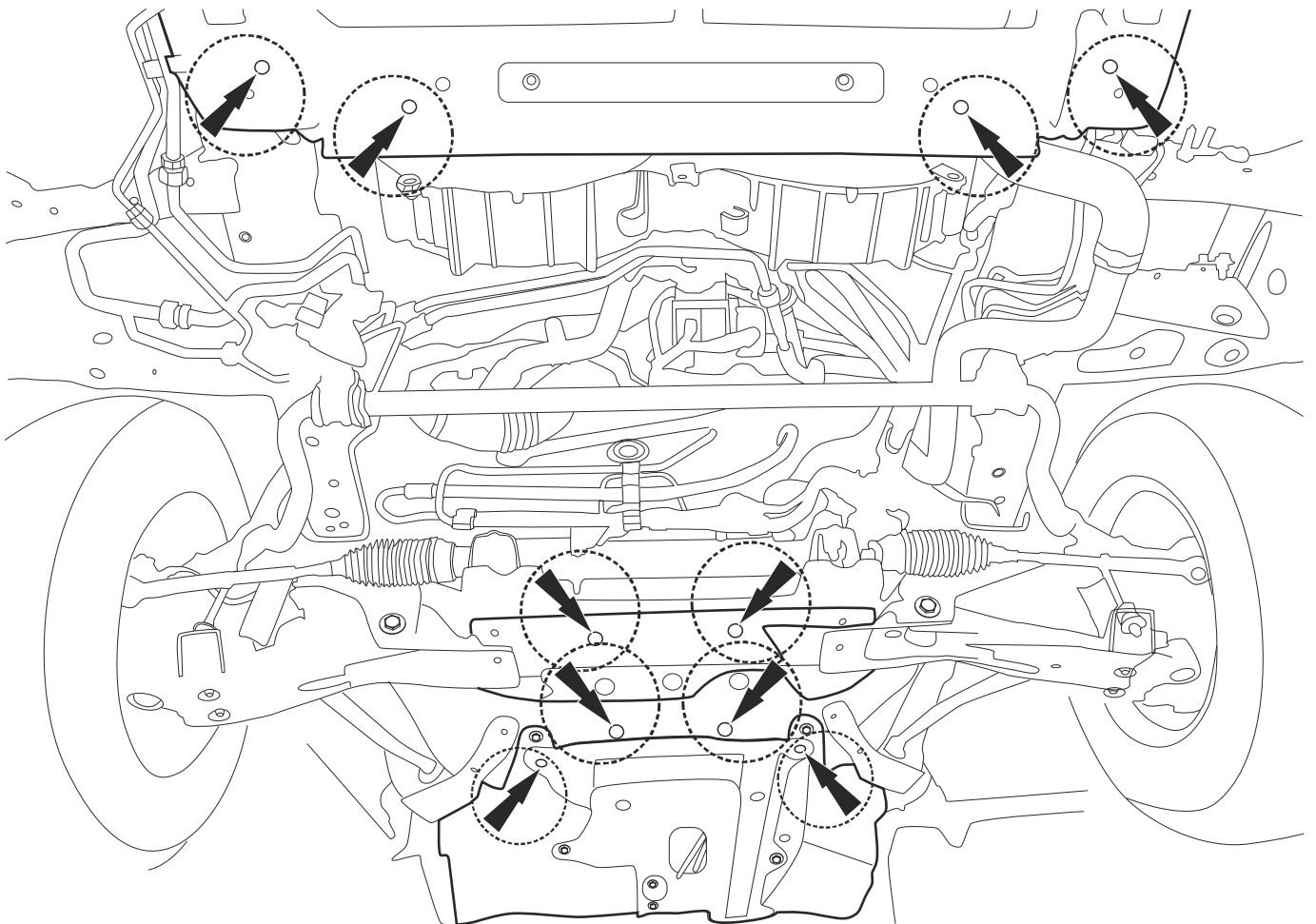
10x



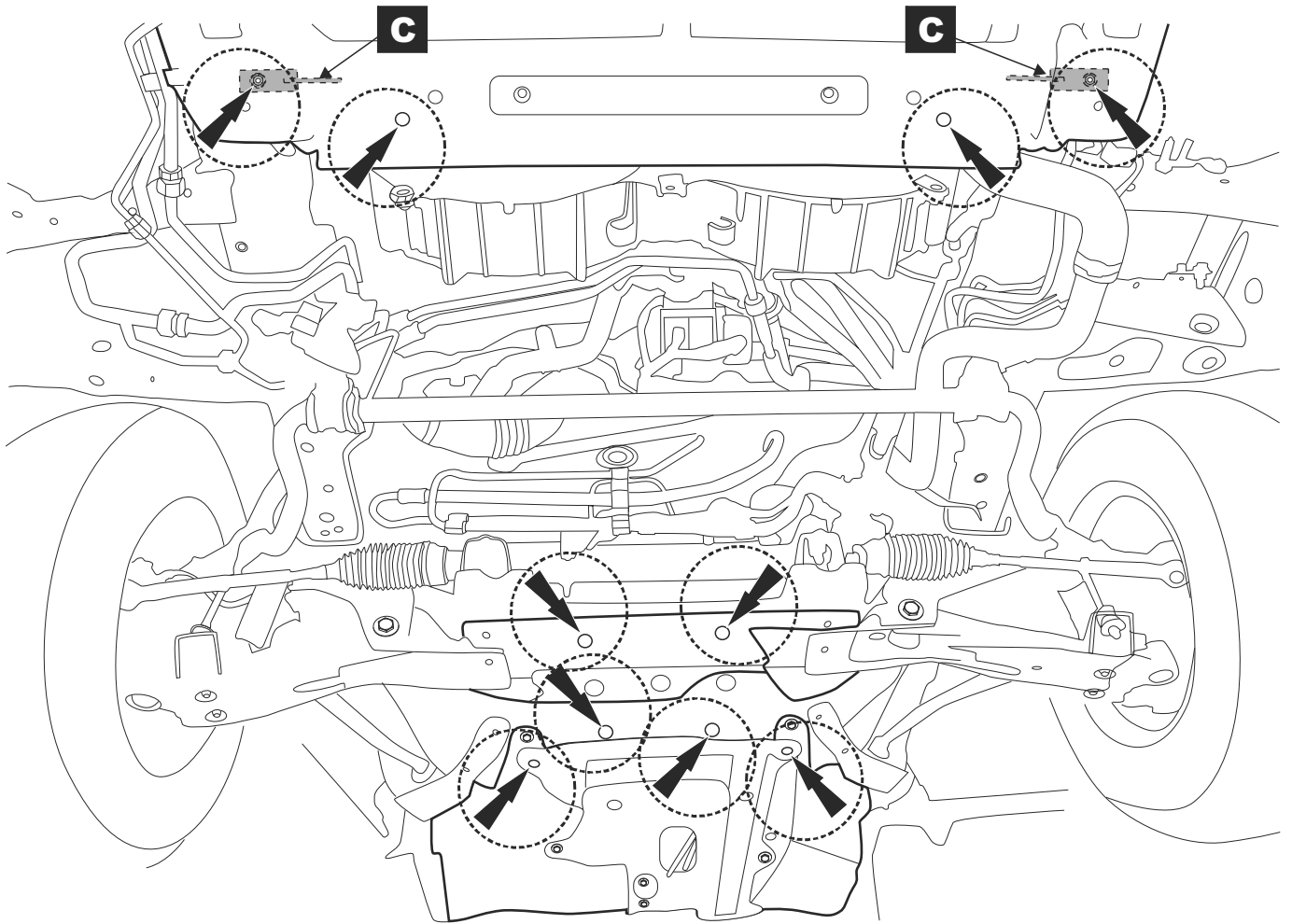
1



2

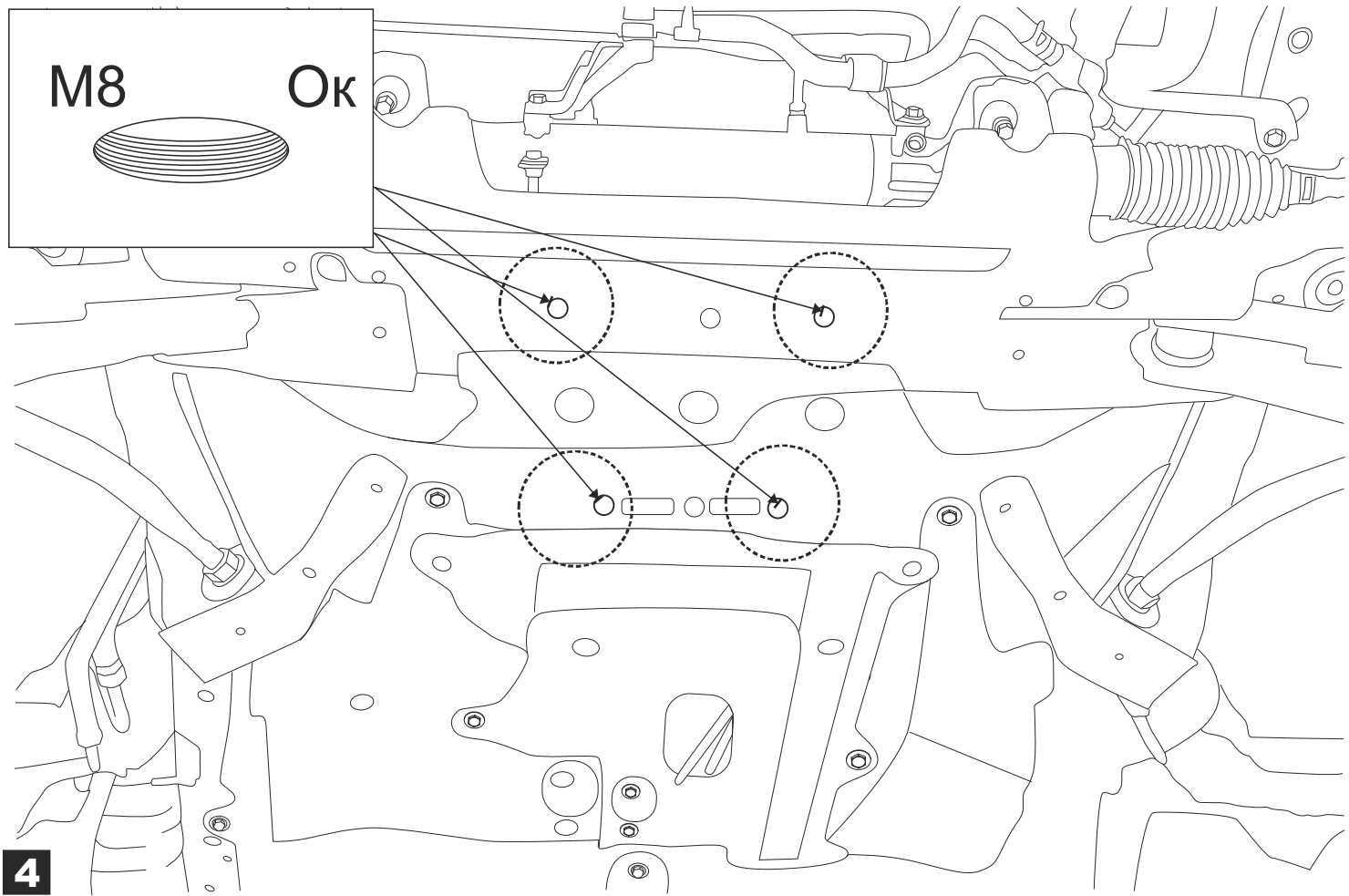


3

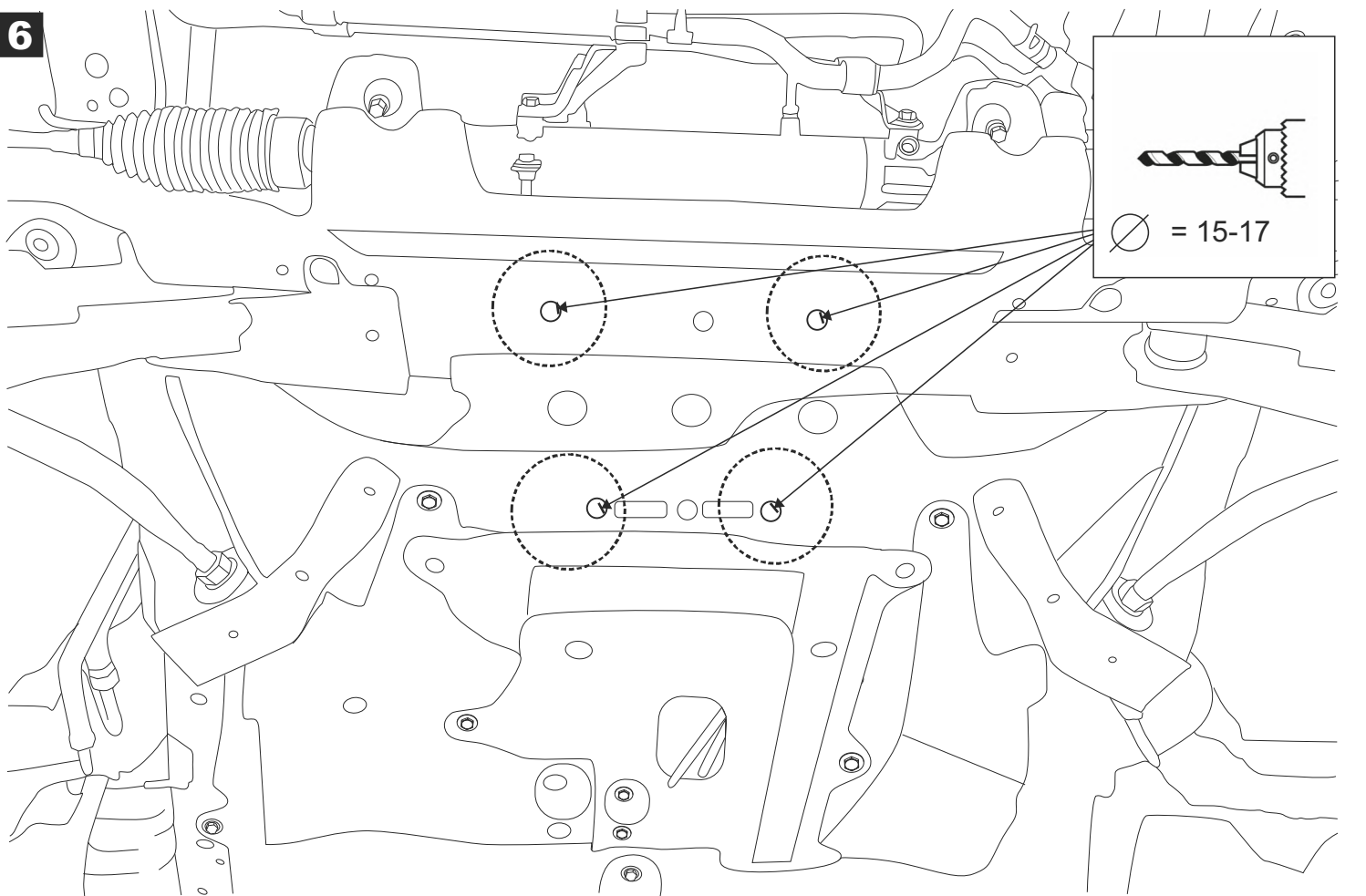
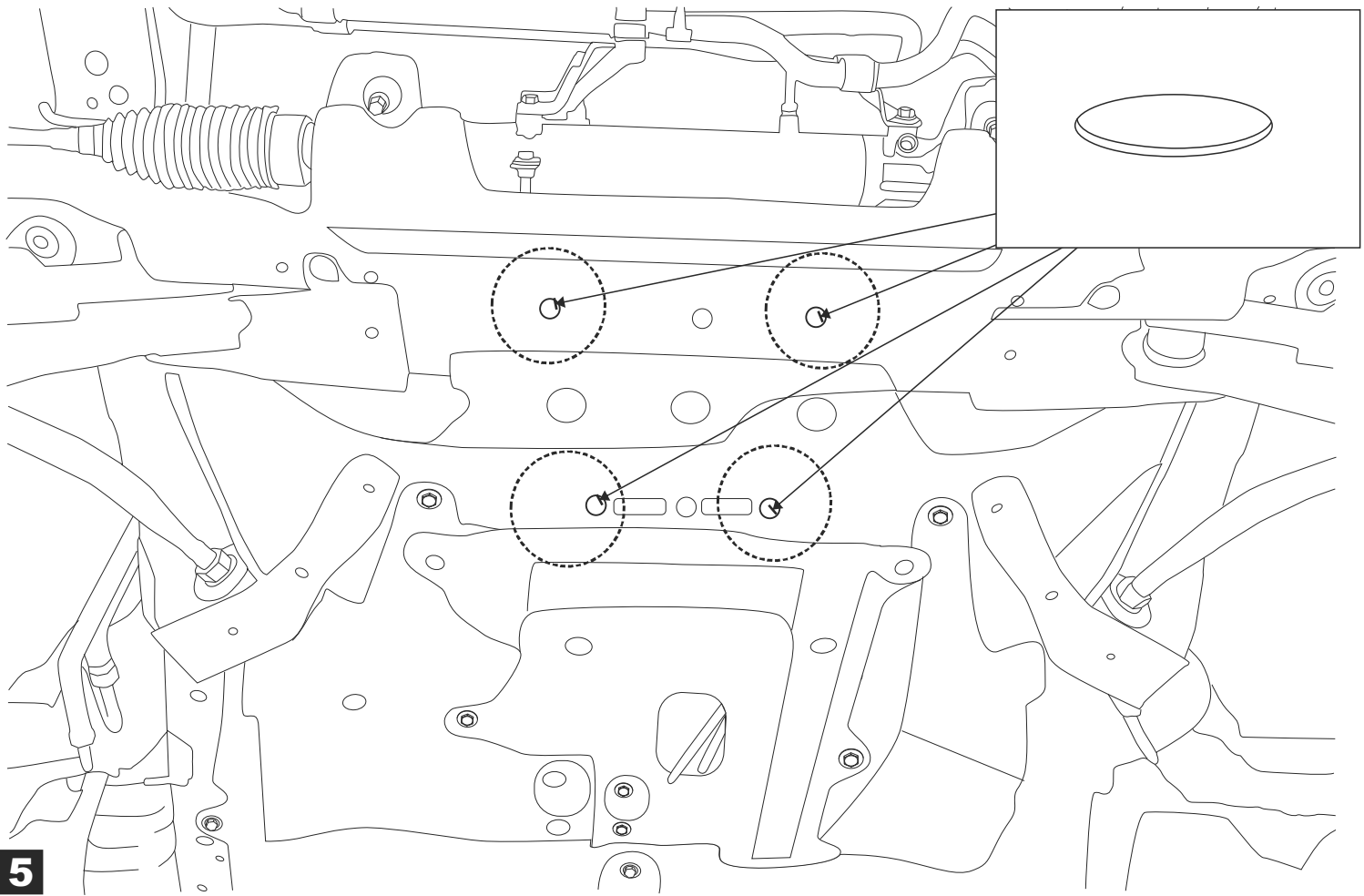


M8 **Ok**

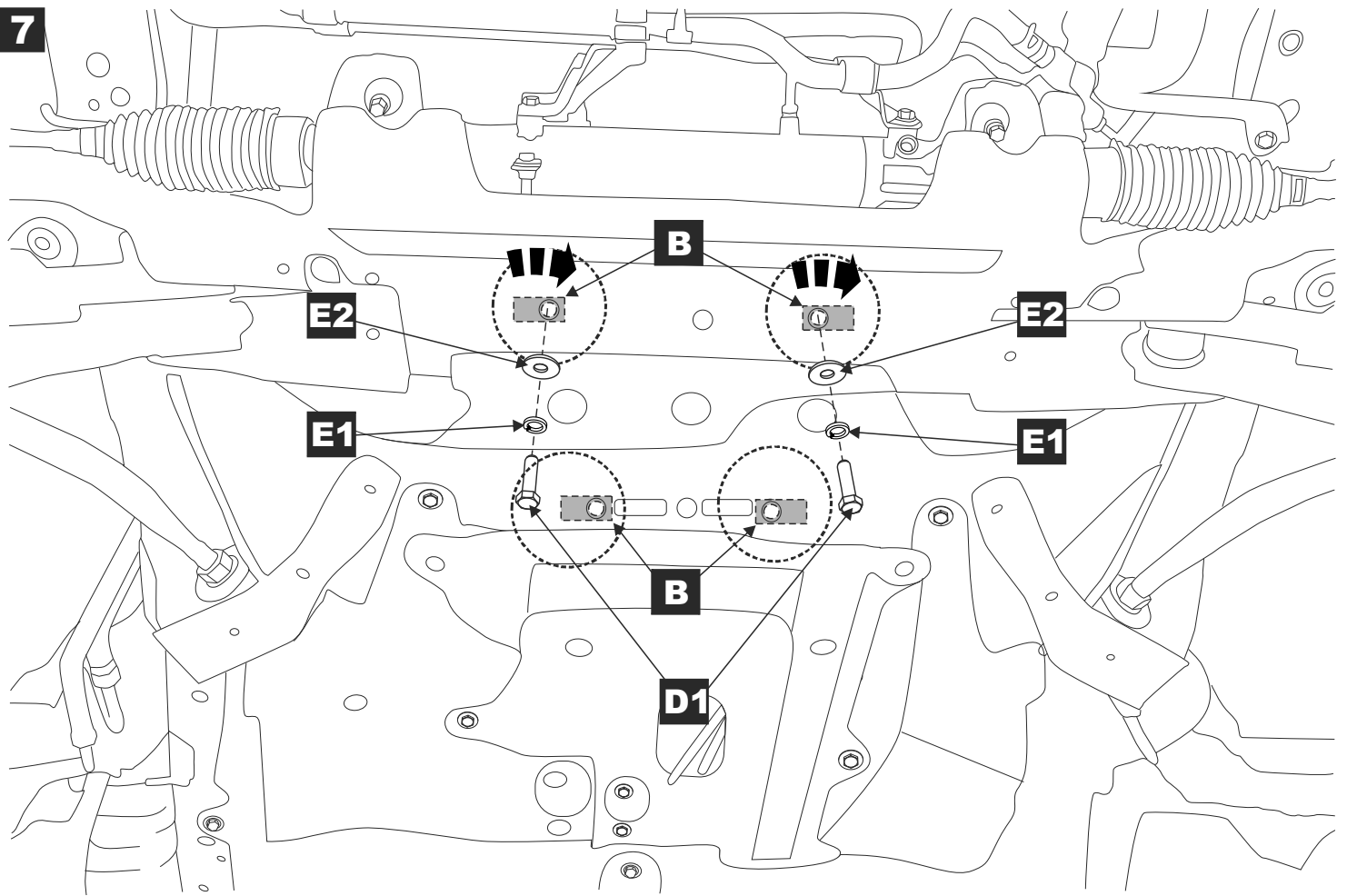
A technical drawing of an M8 washer, which is a flat, circular metal disc with a central hole. The drawing shows the washer from a top-down perspective, highlighting its thickness and the central hole.



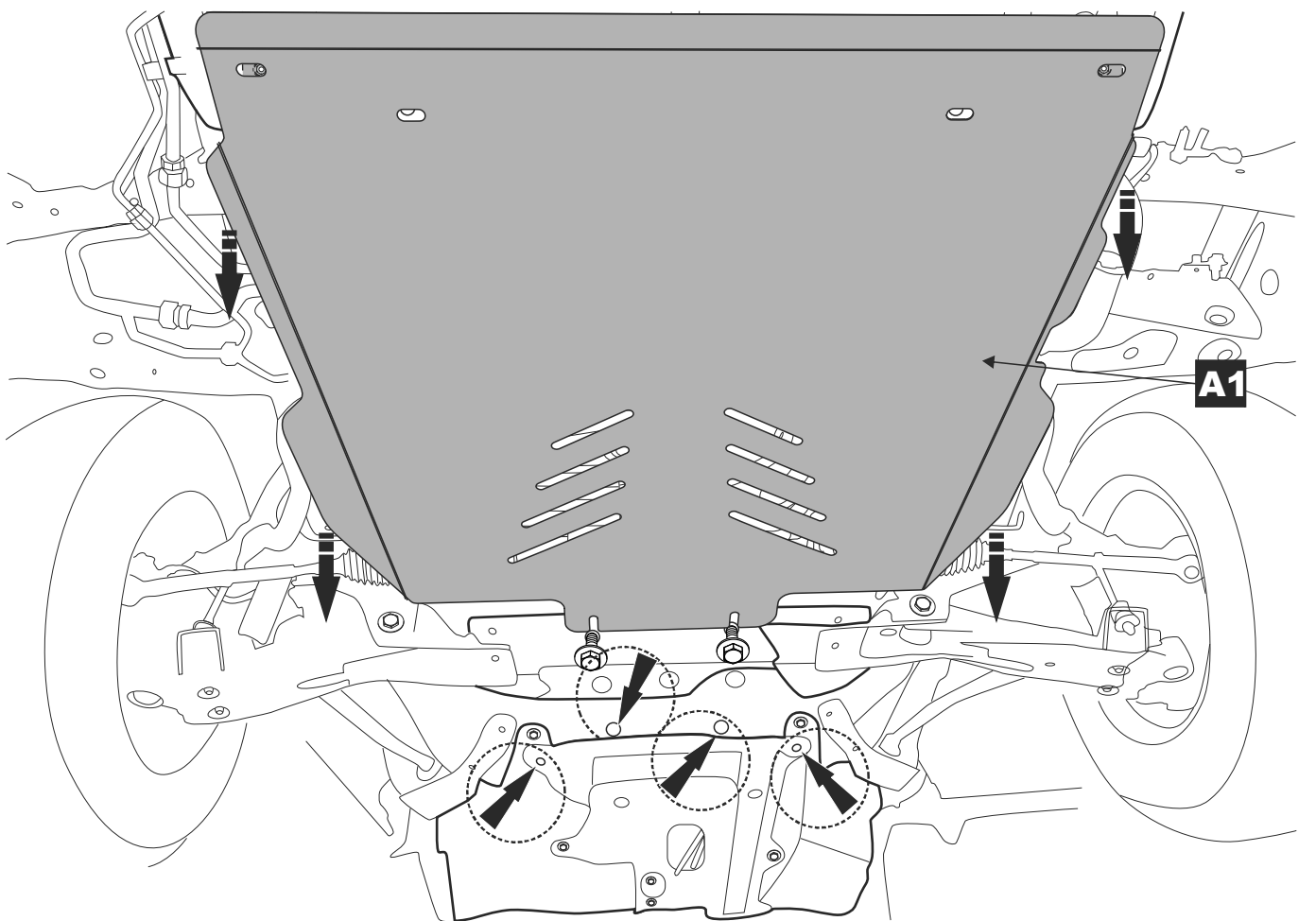
4



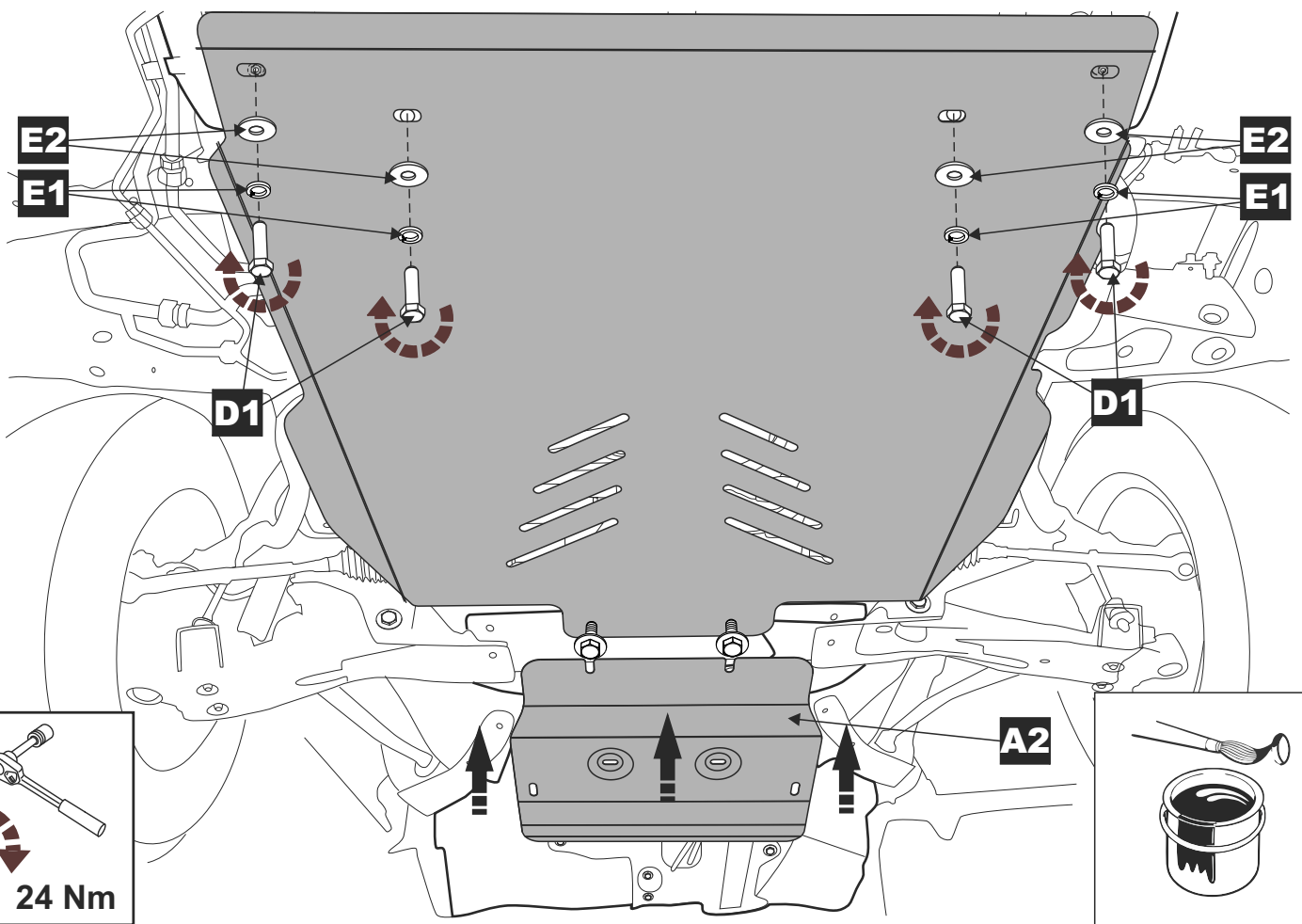
7



8



9



10

